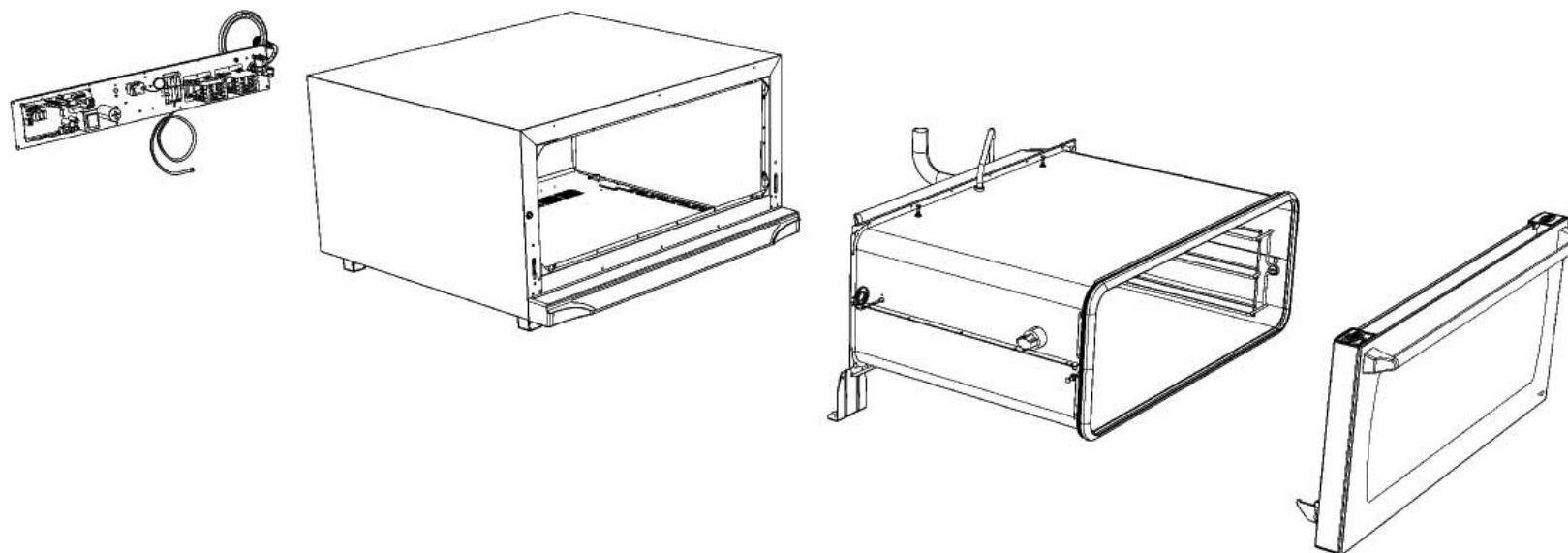
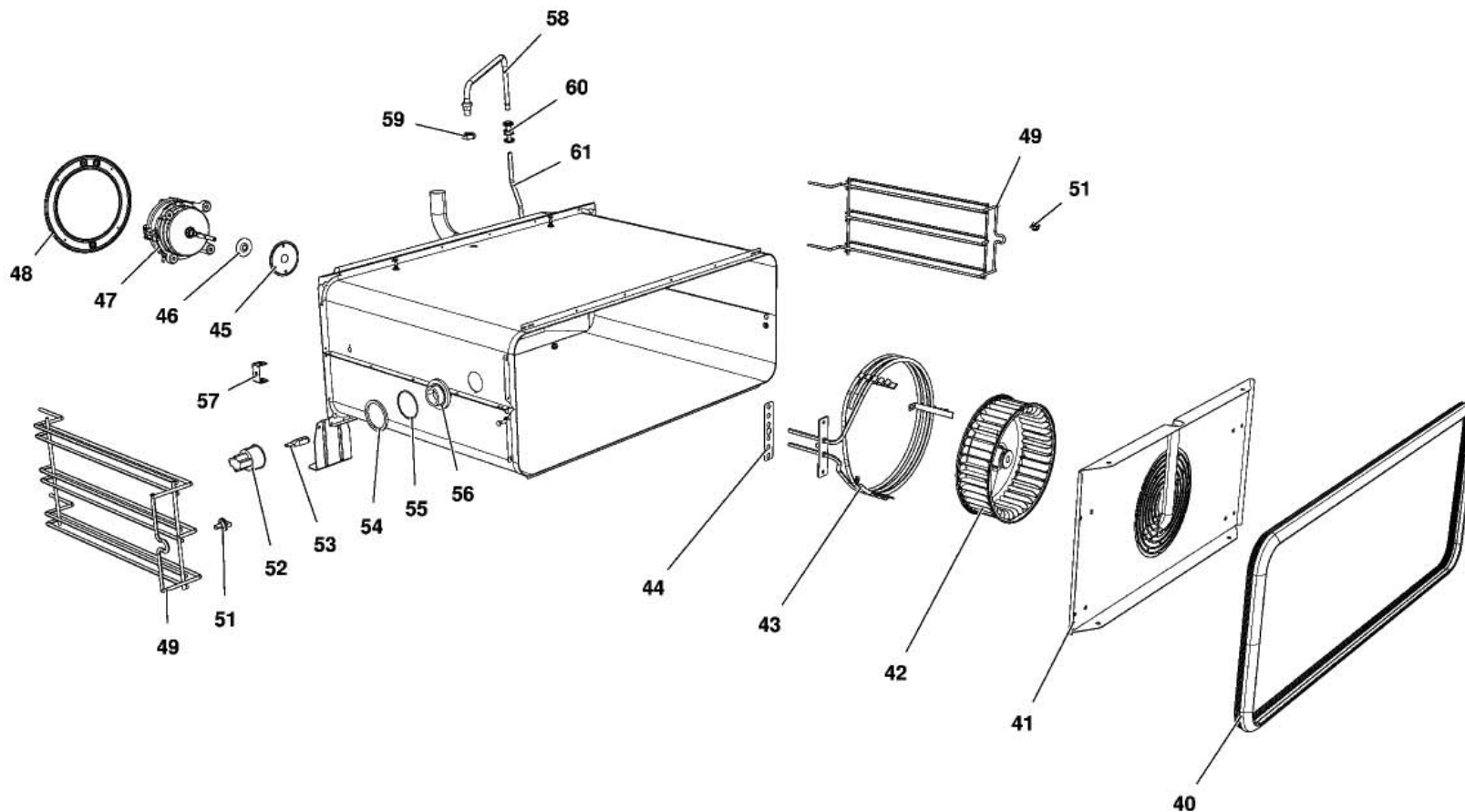


# MOD:XFT183

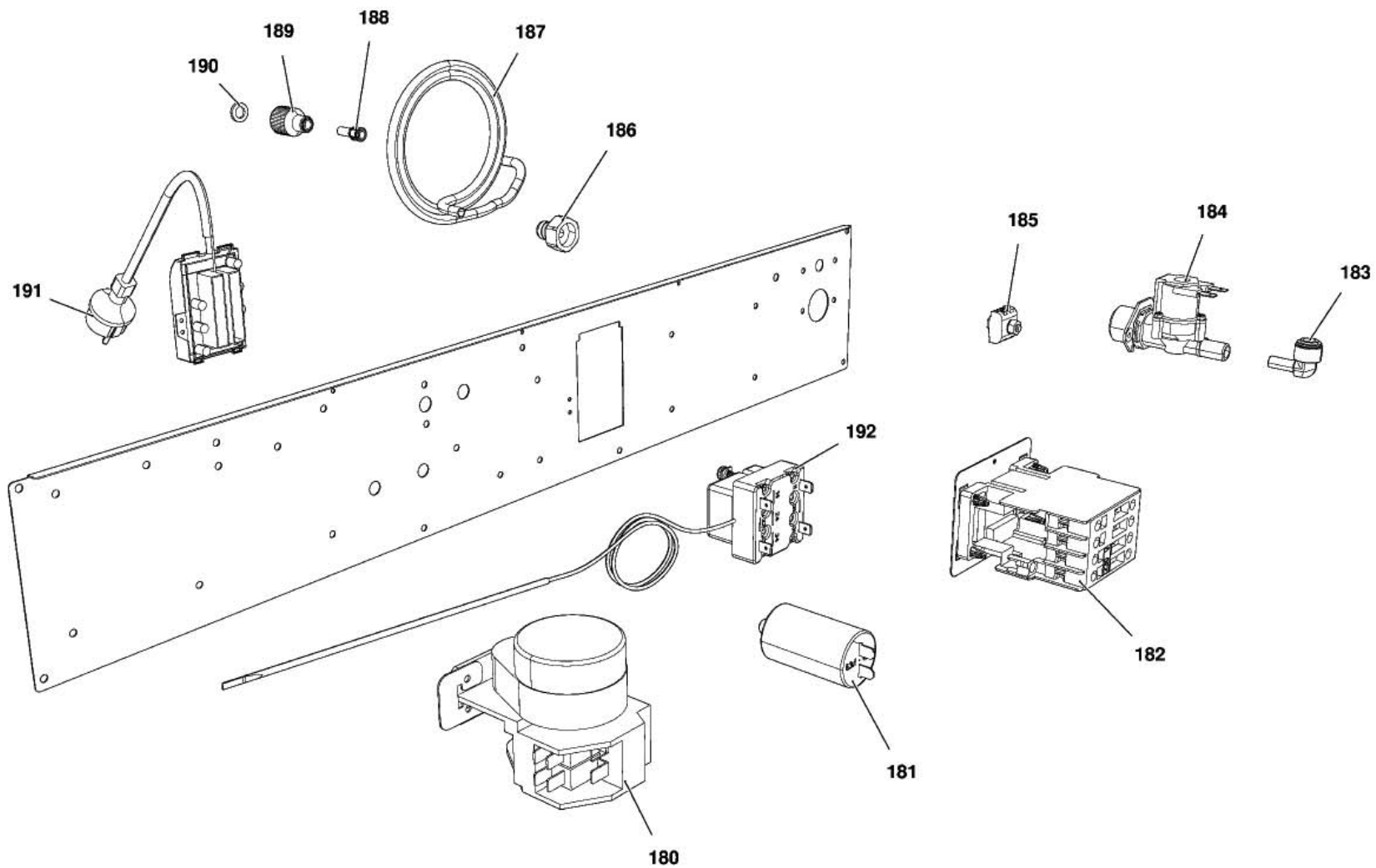


# MOD:XFT183





# MOD:XFT183



# MOD:XFT183



## EN

## Codes descriptions

1	VT1067A	EXTERNAL DOOR GLASS GREY SER. 798X344X5
2	OH1930B	HANDLE TUBE L= 718 Ø18X1
3	MG1015B	L.MISS/L.MICRO/CHEFTOP HANDLE TERMINALS
4	OH1420B	LM XF100/XF11- LEFT/RIGHT DOOR COL
5	VM1051A	LOWER COVER FOR LEFT COLUMN OF
6	VM1050A	LOWER COVER FOR RIGHT COLUMN OF
7	VM1046B	LEFT UPPER LID FOR COLUMN FOR
8	VM1045B	RIGHT UPPER LID FOR COLUMN FOR
9	GN1265A	INTERNAL GLASS SEAL XVC054/104
10	VM1025A	NYLON LID PA66 V2 GREY Ø16
11	VT1065B	INNER GLASS 715X335X6 L.M. ELENA
12	CR1020B	L.MISS ELENA DOOR HINGE
40	GN1353A	L.MISS ELENA DOOR GASKET - GN1110A
41	OG1120D	L.MISS ELENA FAN GUARD
42	VN1025A	FAN D=196 H=61 38 BLADES STAINLESS
43	RS1090A	CIRC.HEAT. ELEMENT D=230 3 TURNS
44	GN1327A	HEATING ELEMENT GASKET 100X22X0.8
45	OH3020A	MOTOR SHAFT SEALING DISC
46	GN1140A	MOLDED MOTOR SUPPORT GASKET
47	VN1130A	330W 230V 50/60HZ MOTOR
48	OH3586A	ZINCATE MOTOR GUARD PLATE XBC-XVC
49	GRL1015A	RIGHT/LEFT LATERAL GRID CHROM.PLATED
49	GRL1015A	RIGHT/LEFT LATERAL GRID CHROM.PLATED
51	VM1815A	M6 LATERAL SUPPORTS FIXING BOLT
52	VE1015A	LAMP HOLDER SERIE 2 FOR HALOGEN LAMP
53	VE1005A	HALOGEN LAMP 33W ENERGY SAVER
54	GN1065A	SEAL FOR LAMP GLASS COVER (PURE
55	GN1055A	OR 46X2 VMQ.70 RED
56	VT1195A	BOROSILICATE LIGHT BULB GLASS COVER
57	OH4820A	BULB HOLDING BRACKET
58	OH1990A	EXTERNAL WATER PIPE + STAINLESS

59	RC1170A	STAINLESS STEEL NUT M14 H=8 CH=22
60	EL1055A	INTERMEDIATE REDUCTION FROM D=10 TO D=8
61	TB2034A	L.MISS WATER SYSTEM - TB1815A
100	OD1280E	L.MISS ELENA EXTERNAL CHASING
101	OH1450A	XB-XV-XG ST. STEEL MUFFLE FRONT CORNER
102	VE1295A	DOOR MICROSWITCH MK 16A 230V UL
103	CR1000A	HINGE LATCH L.M.
104	OF1090C	L.MISS ELENA EXTERNAL BACK PANEL
105	VM1952A	IP MOTOR COVER
106	VM1951A	IP CHIMNEY COVER
107	VM1950A	PLASTIC DRIP FLAP
108	PD1001A	FOOT 35X35 H26 GREY PLASTIC+RUBBER
108	PD1001A	FOOT 35X35 H26 GREY PLASTIC+RUBBER
110	VM2019A	L.MISS MANUAL 60X40 CONTROL BOARD
111	TM1000C	ELECTRICAL BUZZER 15 SECS 230 V
112	TR1100A	269°C ADJUSTABLE THERMOSTAT 55.19052.80
113	TM1005A	TIMER MI2 60 MIN 250V 16A
114	MN1090B	LINEMISS 0-60 MIN TIMER KNOB
115	MN1091B	80-260°C THERMOSTAT KNOB
116	VE1530A	BLUE LIGHT COVER GOLD THERMOMETER
117	VE1170A	OPAQUE NICKEL ELLIPTICAL SUPPORT D16
118	VM1762A	INNER LAMP SUPPORT
119	VE1535A	WHITE LED 230V
120	VE1562A	UNIPOLAR NA PUSH BUTTON
121	VM1775A	OPAQUE SILVER KEY WITH GOLD "CLOUD"
180	VE1555A	REVERS.SWITCH MOTOR P19.SJ.02.H6.17
181	VE1110A	CONDENSER 6,3 7F 450VAC 50/60HZ
182	VE1095A	REMOTE CONTROL SWITCH GE 25A 230V
183	EL1195A	ELBOW UNION WITH J.GUEST TERMINAL
184	EL1085A	WATER SINGLE ELECTROVALVE WITH
185	VM1750A	TERMINAL BOARD

186	RC1030A	STRAIGHT JOINT D=8-3/4 FEMALE JOHN
187	TB1079A	L.MISS D8 WATER PIPE
188	RC1002A	10M-8F J.G. TERMINAL REDUCTION FITTING
189	RC1365A	3/4"-10 JG FEMALE CONNECTION
190	GN1200A	3/4 CONNECTION SEAL D=24 RUBBER+NET
191	MR1006A	CABLE 3X1.5 H07RN-F MT1.5+K1/6+SCHUKO
192	TR1140A	350°C SAFETY THERMOSTAT MANUAL RESET